



# STELLA

## Flood Light



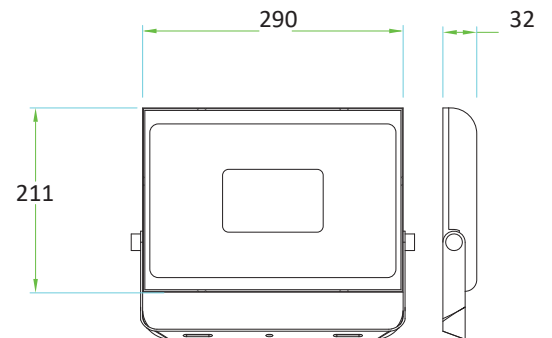
SPEC SHEET



The Stella Flood light is an energy efficient and high performing external luminaire with a performance output of over 80lm/w and symmetrical light distribution. Along with its compact lightweight design and rotatable trunnion arm, it offers flexible mounting options and easy installation. Suitable for low cost, high output general floodlighting applications.

### Specifications

- Available in 50W, 100W and 150W versions
- LED efficacy > 80lm/W maximum
- Input voltage 220-240VAC, 50/60Hz
- Power factor  $\geq 0.9$
- Diecast aluminium body powder coated black
- Galvanised trunnion arm powder coated black
- Ingress protection IP65
- Colour temperature 3000K, 4000K and 6000K CRI 70
- 50,000hrs rated average design life @ L70\*



### Specifications

CODE	WATTS	Voltage	PF	CRI	Body	Material	CCT	LUMENS	Beam	IP Rating	DIM (mm)
CLS-STLFLD-50W	50W						3000K	4000 lm			185x134x21
CLS-STLFLD-100W	100W	220-240V	>0.9	Ra>70	Black	alu+glass	4000K	7600 lm	110°	IP65	240x175x30
CLS-STLFLD-150W	150W						6400K	11000 lm			290x211x32